

# Technical data sheet

Product features



## Cooking range drop-in electric 2x drop-in plate 400 V

<b>Model</b>	<b>SAP Code</b>	00007442
--------------	-----------------	----------



- Device type: Electric unit
- Power consumption of the zone 1 [kW]: 2,6
- Power consumption of the zone 2 [kW]: 2,6
- Protection of controls: IPX5
- Material: Stainless steel

<b>SAP Code</b>	00007442	<b>Power electric [kW]</b>	5.200
<b>Net Width [mm]</b>	400	<b>Loading</b>	400 V / 3N - 50 Hz
<b>Net Depth [mm]</b>	600	<b>Number of zones</b>	2
<b>Net Height [mm]</b>	50	<b>Power consumption of the zone 1 [kW]</b>	2,6
<b>Net Weight [kg]</b>	15.00	<b>Power consumption of the zone 2 [kW]</b>	2,6

# Technical data sheet

Technical drawing



## Cooking range drop-in electric 2x drop-in plate 400 V

Model

SAP Code

00007442

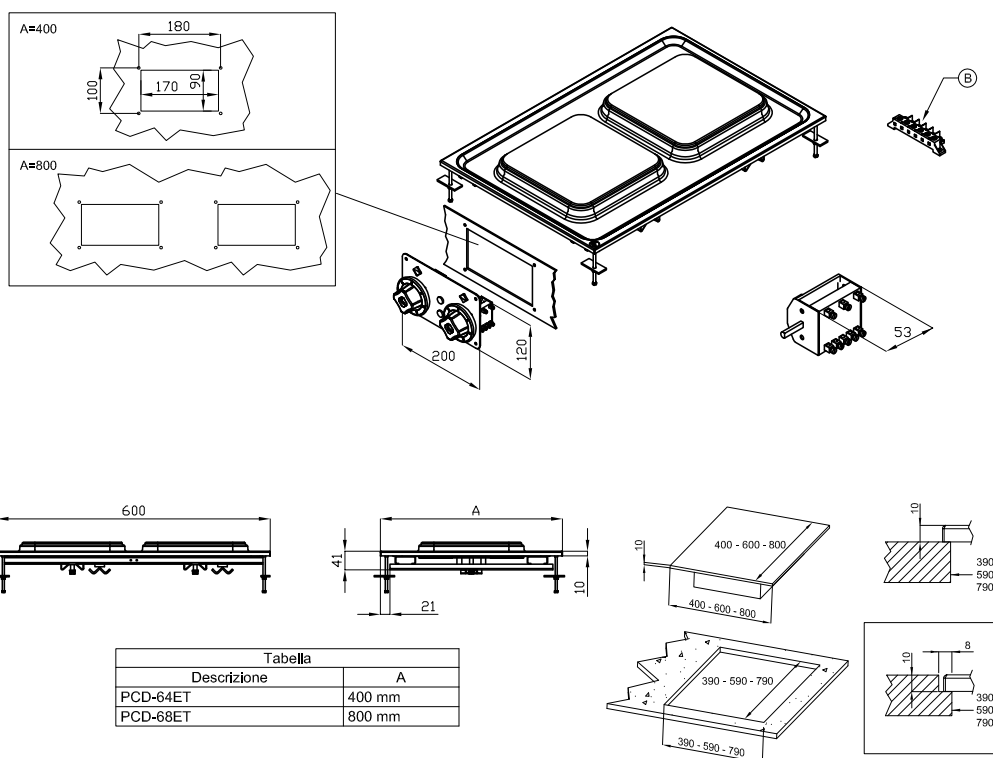


Tabella	
Descrizione	A
PCD-64ET	400 mm
PCD-68ET	800 mm

A	Data plate		B	Electrical connection	
---	------------	--	---	-----------------------	--

# Technical data sheet

## Product benefits



### Cooking range drop-in electric 2x drop-in plate 400 V

Model

SAP Code

00007442

1

#### Square plates

quick warm-up  
efficient cooking on a round surface with easy  
adhesion to dishes

- time-saving in food preparation
- easy to use thanks to the large surface area of the  
cooking plates

2

#### Internal thermostatic plate protection

longer service life of the plates

- no overheating of the plates and no cracking

3

#### Degree of protection of the control elements IPX5

maintenance-free system  
resistance to splash water  
long life

- savings on service interventions
- easy cleaning and maintenance of equipment

4

#### All-stainless design

the material does not cut  
wear resistance of the material  
long life

- savings on service interventions
- easy cleaning and maintenance of equipment

5

#### Hygienic moldings of the top plate

absence of sharp corners and edges (potential places  
where dirt could stick)  
smooth transitions

- easy quick cleaning

6

#### Variability

the possibility of attaching to a fixed plate as part  
of a monoblock  
the possibility of creating one module  
long life

- cost saving
- space saving
- long service life

# Technical data sheet

Technical parameters



## Cooking range drop-in electric 2x drop-in plate 400 V

**Model**

**SAP Code**

00007442

**1. SAP Code:**

00007442

**2. Net Width [mm]:**

400

**3. Net Depth [mm]:**

600

**4. Net Height [mm]:**

50

**5. Net Weight [kg]:**

15.00

**6. Gross Width [mm]:**

430

**7. Gross depth [mm]:**

630

**8. Gross Height [mm]:**

470

**9. Gross Weight [kg]:**

19.00

**10. Device type:**

Electric unit

**11. Construction type of device:**

Drop-in

**12. Power electric [kW]:**

5.200

**13. Loading:**

400 V / 3N - 50 Hz

**14. Protection of controls:**

IPX5

**15. Material:**

Stainless steel

**16. Worktop type:**

Molded - comfortable cleaning maintenance

**17. Worktop material:**

AISI 304

**18. Worktop Thickness [mm]:**

2.00

**19. Number of zones:**

2

**20. Power consumption of the zone 1 [kW]:**

2,6

**21. Power consumption of the zone 2 [kW]:**

2,6

**22. Maximum device temperature [°C]:**

300

**23. Minimum device temperature [°C]:**

50

**24. Number of power control stages:**

6

**25. Service accessibility:**

From the front by removing the front panel and waste fluid containers

**26. Safety element:**

internal thermostatic protection of the hotplate against overheating

# Technical data sheet

Technical parameters



Cooking range drop-in electric 2x drop-in plate 400 V

Model

SAP Code

00007442

**27. Safety thermostat:**

Yes

**29. Type of electric cooking zones:**

Squared

**28. Number of burners/hot plates:**

2